



Meaco Platinum Range Instruction Manual



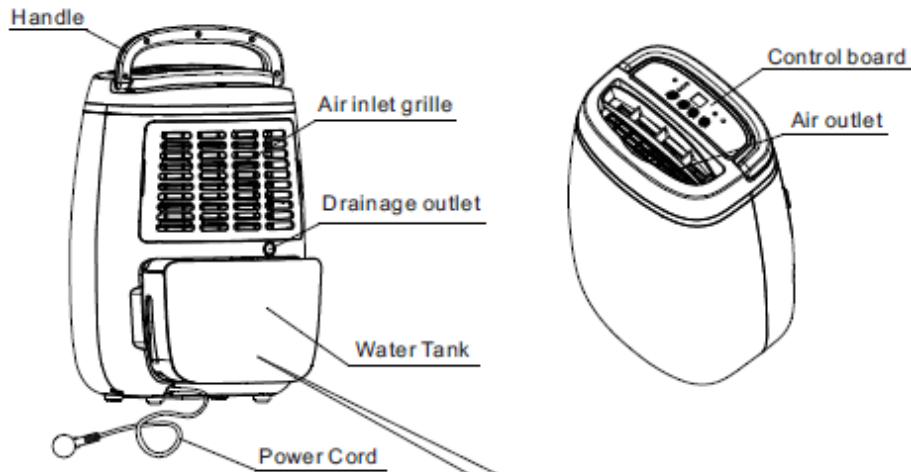
Meaco 12L and 20L Low Energy Dehumidifiers

Please read this instruction manual before using the dehumidifier and keep safe for future reference.

Thank you for choosing Meaco, we really appreciate it

Meaco 12L Low Energy Dehumidifier

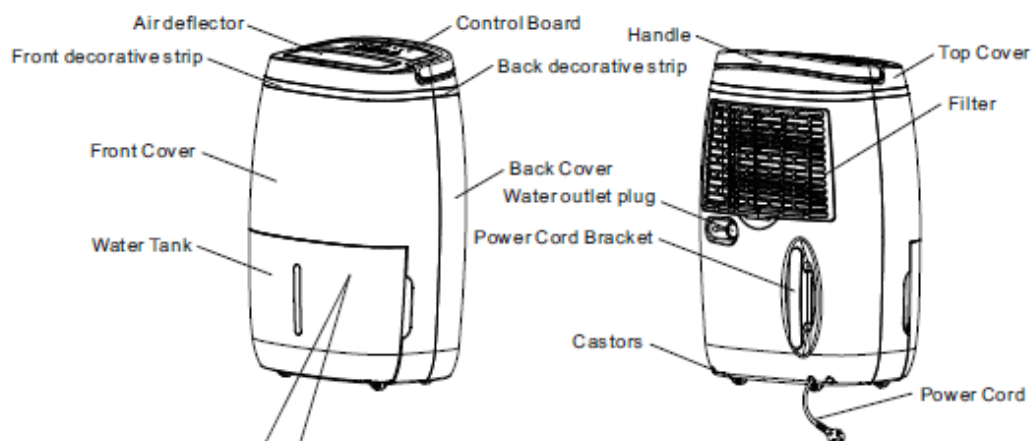
Parts List



There maybe a little bit residual water in the new unit, that is because of performance test before selling, not malfunction or disqualification.

Meaco 20L Low Energy Dehumidifier

Parts List



There maybe a little bit residual water in the new unit, that is because of performance test before selling, not malfunction or disqualification.

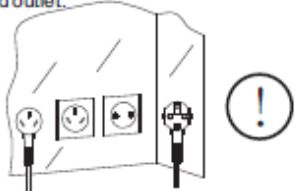
SAFETY INSTRUCTIONS

PLEASE READ ALL INSTRUCTIONS CAREFULLY BEFORE OPERATING.


All safety instructions apply to both models.

Warning and Cautions

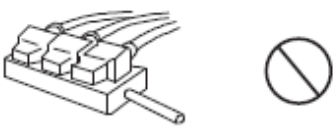
This unit must be reliably grounded or plugged into a grounded outlet.




If the supply cord is damaged, it must be replaced by the manufacturer, its service agent or similarly qualified persons in order to avoid a hazard.




This unit use special electrical connection and outlet, don't use other extension wire or portable outlet.




This unit should be turned on/off in right way, repeated plugging the connector is certainly a wrong way, please don't do this. If the unit will be left unused for a long time, pull out the plug.




This appliance is not intended for use by persons (including children) with reduced physical, sensory or mental capabilities, or lack of experience and knowledge, unless they have been given supervision or instruction concerning use of the appliance by a person responsible for their safety.




Do not touch the power switch or outlet with wet hands, it may cause electric shock.




Children should be supervised to ensure that they do not play with the appliance.




Do not put your hands or other sticks in the air outlet, it's dangerous.



Warm air coming from the unit may harm the health of people and animals so don't stay before the air outlet for too long time.



Do not operate this unit near corrosive, flammable, explosive materials.



WARNING - This appliance is intended for use in a domestic environment only. Any other use is not recommended by the manufacturer and may cause fire, electrical shocks or other injury to person or property.

When using electrical appliances, basic safety precautions should always be followed:

1. Do not operate the unit with a damaged cord or plug, after it malfunctions or has been dropped or damaged in any way. Return to an authorized service facility for examination and repair.
2. This unit should always be kept in an upright position to avoid any damage. Locate the unit on a flat stable surface.
3. Check the household voltage to ensure it matches the units rated specification before operating.
4. Operate this unit in an ambient temperature between 5°C and 35°C.
5. Ensure that the air inlets and outlets are not blocked or covered.
6. Do not place the unit too close to curtains or other objects - min 30cm.
7. When using the dehumidifier to speed up the drying of wet clothes in the room, keep the clothing at a safe distance from the unit to prevent water from dropping onto the unit.
8. Never place anything on top of the unit and do not cover with any kind of material while in use.
9. This product is intended for domestic and light office use ONLY and not for commercial, industrial or outdoor use.
10. To protect against electrical shocks, do not immerse unit, plug or cord in water, or spray with liquids.
11. Never unplug the dehumidifier without pressing the "ON/OFF" button first, as this could damage the unit.
12. Always unplug the unit when not in use or moving location. To disconnect from the power supply, grip the plug and pull from the power socket. Never pull by the cord.
13. Always empty the water tank before storing the unit away.
14. Close supervision is necessary when any appliance is used by or near children and pets.
15. Do not run power cord under carpeting, or cover with rugs or runners. Arrange the cord away from areas where it may be tripped over.
16. Never operate or store the unit in direct sunlight.
17. To repair the unit, take it to a qualified service engineer. Repairs carried out by unqualified people may cause damage to the unit or injury to persons or property and void the warranty.
18. Where possible, avoid the use of an extension cable as they may overheat and cause a risk of fire. Only use an extension cord after ensuring it is in perfect condition.
19. Do not use the unit without the air filter.

PLEASE READ AND SAVE THESE IMPORTANT SAFETY INSTRUCTIONS

BS PLUG WIRING

Wiring Instructions: Should it be necessary to change the plug please note the wires in the mains lead are coloured in accordance with the following code :

BLUE - NEUTRAL

BROWN - LIVE

GREEN AND YELLOW – EARTH

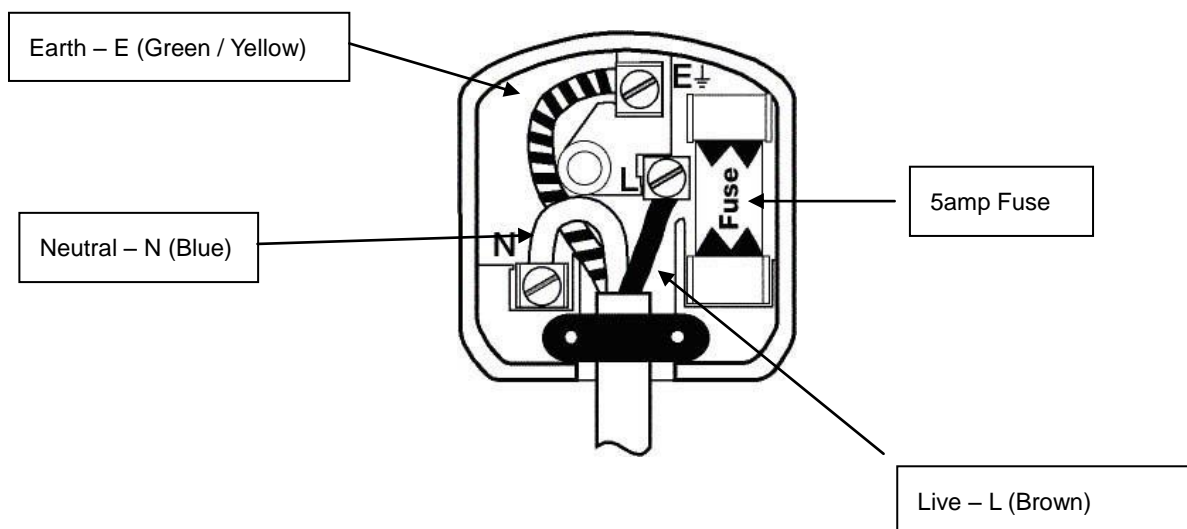
As the colours of the wires in the mains lead of this appliance may not correspond with the coloured markings identifying the terminals in your plug, proceed as follows:

1. The **BLUE** wire is the **NEUTRAL** and must be connected to the terminal which is marked with the letter **N** or coloured **BLACK**.
2. The **BROWN** wire is the **LIVE** and must be connected to the terminal which is marked with the letter **L** or coloured **RED**.
3. The **GREEN/YELLOW** is the **EARTH** and must be connected to the terminal which is marked with the letter **E** or or coloured **GREEN OR GREEN/YELLOW**.
4. Always ensure that the cord grip is positioned and fastened correctly.

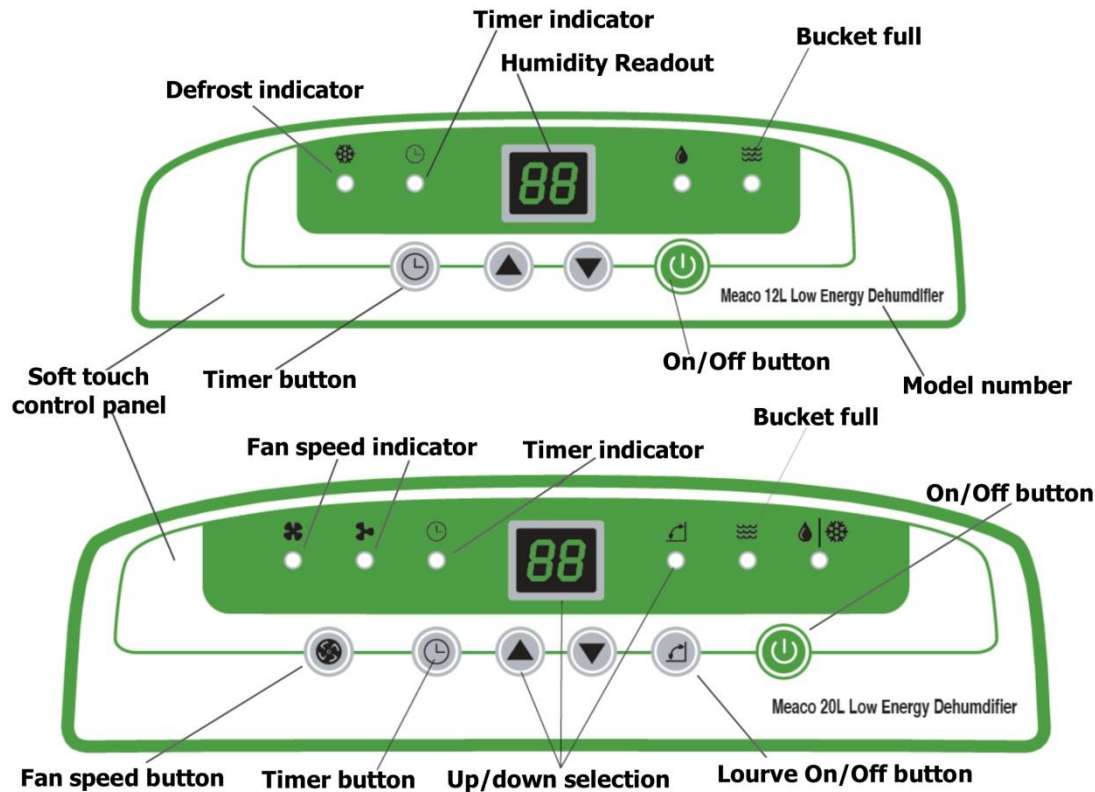
If a 5A (BS 1363) fused plug is used it must be fitted with a 5A fuse. If in doubt consult a qualified electrician.

Wiring for a 5Amp Plug (BS1363)

Please note. The Earth Terminal is marked with the letter **E** or Earth Symbol.



THE CONTROL PANEL



How to use your dehumidifier

- Plug the dehumidifier in and press the On/Off button
- Select your target relative humidity in steps of 5%rh by using the up and down arrows (we recommend 55%rh for the home)
- On the 20L you can select your fan speed
- On the 20L you can also turn the louvre on or off by pressing the louvre button.
- On the 12L you can manually adjust the louvre to the correct angle

Other functions of the control panel

- When the tank is full the dehumidifier will stop working, and the Bucket full light will flash.
- This is an off timer and allows you to run the dehumidifier for a set number of hours before it turns itself off. Use this mode when you are drying washing and want to turn the machine off after say two hours of high speed drying.
- Below around 16°C the Defrost light will come on intermittently to indicate that the dehumidifier is in defrost mode. On the 20L the defrost light is shared between defrost and drying and flashes to indicate defrost mode.
- The one droplet indicator comes on when the dehumidifier is dehumidifying.
- Press the Up and Down arrows at the same time to activate the Child Lock. Repeat the process to turn the Child Lock off.

Meaco Control Logic

When the target relative humidity has been reached the dehumidifier will stop drying the air but the fan will continue to run for 2 more minutes to check that the relative humidity is stable. The dehumidifier then goes to sleep for 30 minutes after which it will wake up and sample the air with just the fan running so that the relative humidity sensor can tell the control panel when to start collecting water again, but if the relative humidity remains below the target then the fan will go to sleep again for another 30 minutes. When the relative humidity rises again the dehumidifier will automatically start to collect water again.

In addition to the above logic the dehumidifier also measures how stable the relative humidity is once the set point has been reached. If the dehumidifier calculates that the relative will increase by 5%rh or more within 5 minutes of the set point being reached and the relative humidity is not yet stable in the room then the dehumidifier will turn it's fan and if necessary the compressor as well, to stop the relative humidity from rising. This is most likely to be seen when the dehumidifier is new and will settle down as the moisture content of the house decreases.

Drying Laundry

To speed up the drying of laundry we recommend selecting the lowest possible relative humidity (30%rh) or continuous operation (CO) and the maximum fan speed. Use the louvre to point the dry air at the washing whilst making sure that the water from the laundry does not drip onto or into the dehumidifier. Placing the washing and the laundry into a small room, with the heating on and using additional fans will speed up the whole process.

UNDERSTANDING AND USING A DEHUMIDIFIER

How does a dehumidifier work?

There are four types of dehumidifier sold to the domestic market in the UK - Compressor (this dehumidifier), desiccant, peltier and silica gel. A compressor based dehumidifier draws the air in from the room over a filter and passes it over some cold coils similar to the coils on a fridge. As the coils are cold, water condenses and drips into a bucket. The air is then reheated to room temperature and blown back out of the dehumidifier.

Why does water appear on my windows/cupboards/walls?

It is a basic law of physics that if the surface is cold enough and if there is enough water vapour in the air then it will condense. This means in the case of windows whether they are double-glazed or not that if the windows are cold enough and there is enough moisture in the air then condensation will occur.

Where does this water come from?

We all produce water by drying clothes indoors, the boiling of vegetables, showering, rain, calor gas heating and making cups of tea all produces moisture. It is just an on-going process that never stops.

Can I just get rid of it by opening my windows?

This is fine on a nice summer's day but in winter opening your windows will just result in you losing the heat from your central heating and creating draughts. This is a waste of money and if it is raining will just let more moisture in. You might as well just throw fivers out of the window.

Will a dehumidifier do the whole house?

A dehumidifier creates a volume of dry air in as large a space as its fan can effect (the 12L can control up to a large 3 bedroom house and the 20L a five bedroom house). After that it will be helped by the fact that damp air will always migrate to dry places. As long as you leave all of the internal doors open a correctly sized dehumidifier will prevent condensation and mould from appearing around the whole house.

What about the black spots of mould on my window and bathroom sealant?

Mould occurs around 68% relative humidity, condensation occurs at 100%. As you can see from this you can have mould but still have clear windows. A dehumidifier will prevent the mould from getting any worse and once you have cleaned the mould away, it will stop it from coming back.

Do I put it in the worst room?

You can if you like put it in the main problem area to start with and then move it somewhere more convenient when you feel that the problem is under control. If it is just condensation on the windows that you are worried about a dehumidifier in a central position, for example the bottom of the stairs will cure the problem in the whole house.

UNDERSTANDING AND USING A DEHUMIDIFIER

Are they expensive to run?

A compressor based dehumidifier costs about 5p(ish) an hour to run depending on your electricity tariff. You should take into consideration the fact that the dehumidifier will not run all the time, as it will be controlled via its humidistat. Secondly it is very expensive to heat a damp house and you will see a reduction in your central heating bill when you start to use your dehumidifier. These platinum dehumidifiers use a lot less electricity than other dehumidifiers currently available and therefore cost less to run.

What is the humidistat?

Just as you have a thermostat that you set on your central heating you have a humidistat on your dehumidifier. This will allow the dehumidifier to turn off and on as required without you having to worry about it.

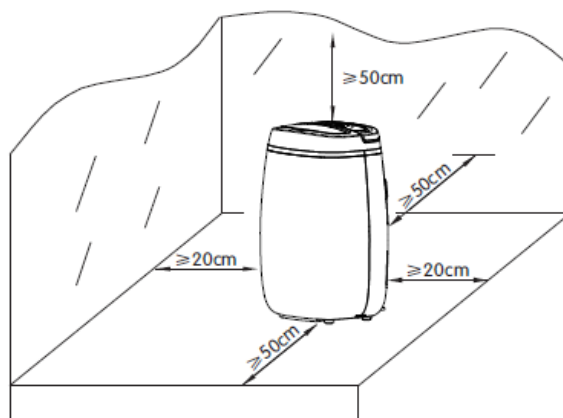
Should I turn the dehumidifier on for just a few hours a day?


No, leave it on 24/7 and just let the dehumidifier's humidistat decide when to come on.

Will they help with allergies?

A dehumidifier will reduce the relative humidity in the house, which will prevent dust mites and other pests from breeding. In this way a dehumidifier can help with allergies. Both of these models can have a HEPA filter fitted as an optional extra. A HEPA filter removes very small particles from the air that might otherwise cause an allergic reaction.

DEHUMIDIFIER SETUP AND USE



- Place the dehumidifier in an upright position on a stable, flat surface.
- Please ensure the unit is a safe distance away from a wall or furniture.
- Please keep clothes at a safe distance of 50cm away from the air inlet or outlet to prevent water from dripping into the unit.
- Ensure the tank is correctly fitted, if the tank is full or is not in place, the “Empty Tank”  light comes on and the dehumidifier will turn off.
- Press the Power button.
- Select the relative humidity value that you want to use the dehumidifier in, for most applications this will be the 55%rh. For more detail refer to page six.
- To turn off press the On/Off button again.

Amount of water collected

- When you first use your dehumidifier it will work harder to reduce the room humidity down to your preferred target (say 55%rh). This is the time when it will produce the most water and need emptying most frequently. As the room becomes dryer the dehumidifier collects less water and takes longer to fill the tank, this is perfectly normal. When the target relative humidity has been reached the dehumidifier will stop collecting water, again this is normal.
- If you find that you still have condensation on your windows or you need to dry the air further then use a lower relative humidity setting (40 or 45%rh). This might well be necessary if you have single glazed windows or if the outside air temperature drops towards freezing.

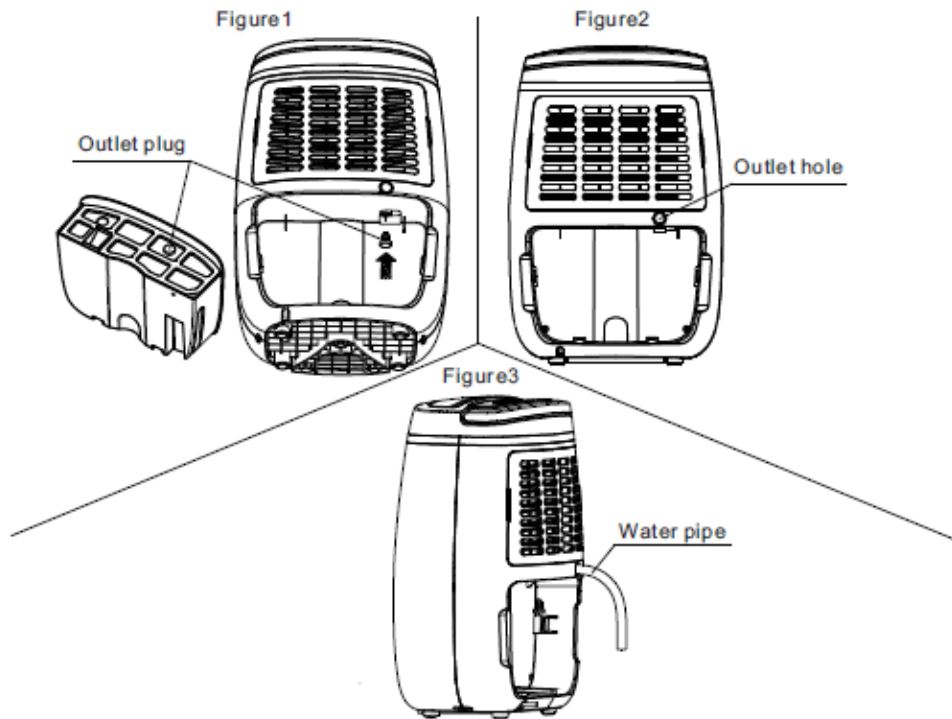


ATTENTION !

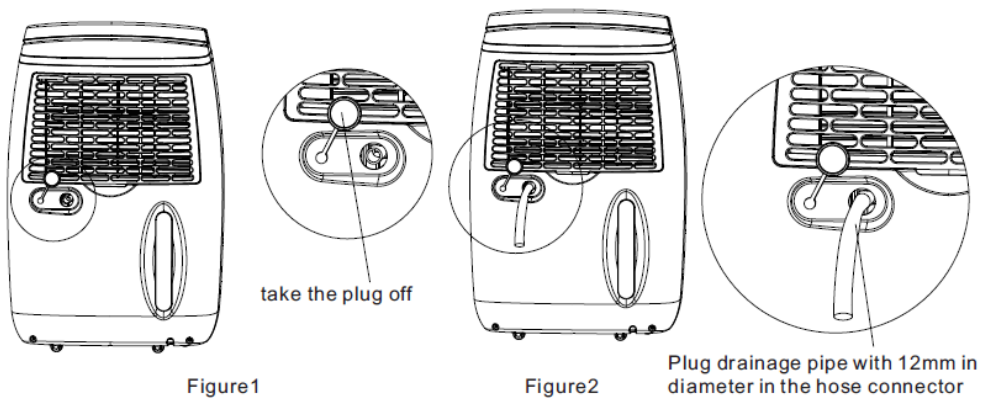
- Never use the device with a damaged power cord, plug, cabinet or control panel. Never trap the power cord or allow it to come into contact with sharp edges.
- Failing to follow the instructions may lead to the guarantee becoming void.

CONTINUOUS DRAINAGE

Meaco 12L Low Energy Dehumidifier



Meaco 20L Low Energy Dehumidifier



Always make sure that the hose is going downhill, is not blocked or kinked.

CLEANING

Switch the dehumidifier off and remove the plug from the socket before cleaning.

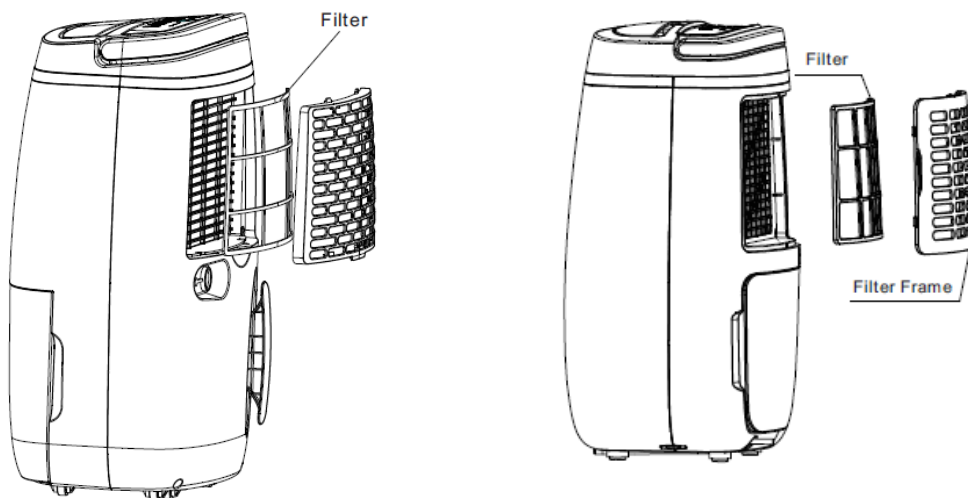
The exterior

Clean the exterior with a soft, dry cloth. If the device is extremely dirty, use a mild cleaning agent. Wipe the dehumidifier with a slightly damp cloth. Never spray the device with water.

The air filter

When used regularly, the filter may become clogged with dust and particles. Therefore the filter should be cleaned every two weeks. Follow these steps:

1. Remove the filter.
2. Clean the filter with a vacuum cleaner or soapy water no hotter than 40°C. Rinse and dry completely before inserting back into the dehumidifier.



The standard dust filter can be replaced by a HEPA filter for better air cleaning and to remove more particles from the air.



Never use the device without the air filter.

STORAGE

If the machine will not be used for a long period of time, take the following steps:

1. Remove the plug from the socket and empty the container. Allow the container and the dehumidifier to dry completely, this can take a couple of days.
2. Clean the air filter.
3. Store the device in a dust-free location away from direct sunlight, preferably covered with a sheet of plastic.

TROUBLESHOOTING

Check the following before contacting technical support:

Problem	Cause	Solution
The unit does not work.	The power is not connected.	Insert the plug into the wall outlet.
The device does not dehumidify.	The water container is full.	Remove the water from the container.
	The water container has not been replaced correctly.	Place the water container in the correct position.
	The air filter is clogged.	Clean the air filter.
	The temperature or relative humidity in the room where the device is operating is too low.	It is normal that the device does not dehumidify in these conditions.
The dehumidifier works, but reduces the relative humidity insufficiently/there is little water in the water tank.	The house is too large. This dehumidifier can dry up to about a three/five bedroom house (12/20L).	We recommend using a dehumidifier with a greater capacity.
	There are too many sources of moisture. Bathing, washing, drying clothes and cooking all puts moisture into the air. Calor gas heating can add too much moisture into the air for a dehumidifier.	We recommend using a dehumidifier with a greater capacity. Consider using a different heat source to a calor gas heater.
	There is too much ventilation.	Reduce ventilation (e.g. close windows and shut doors.)
	The air filter is blocked and the reduce air flow is effecting performance.	Clean the air filter.
The windows were clear and now condensation has returned.	The outside air temperature has dropped and the windows are colder.	Use the dehumidifier on a lower relative humidity setting and run it 24 hours a day.
I cannot remove the condensation from my windows, even in continuous mode.	The surface temperature of the windows is too low for a dehumidifier to prevent condensation. Common with single glazed windows and when the outside air temperature drops below freezing.	Keep running the dehumidifier on continuous 24 hours a day and when the air temperature outside increases the windows should clear of condensation.
Dehumidifier is blowing out warm air.	The dried air is past over heating coils before it is blown into the room as part of the dehumidification process.	This is normal, a dehumidifier is not an air cooler.
The dehumidifier is noisy.	The air filter is blocked or the unit is on an uneven surface.	Clean the filter and or put the dehumidifier on a flat surface. A dehumidifier will also be noisier on wooden floors than on carpet.

Trouble codes:

Please contact local distributor if any of the trouble codes below appears.

Displayed Code	E1	E2
Error	Coil temperature error	Humidity Sensor is broken
Display	Flash every 30s	Flash every 30s
Explain	Normal operating of the unit will not be influenced, but unit starts working in defrosting mode.	Actual humidity will be permanent displayed in 50%RH; unit will become in continuous operating mode, capable for further use.

CONDITIONS OF WARRANTY

There is a two year warranty on your dehumidifier from the date of purchase.

All material or manufacturing defects will be repaired free of charge.

The following applies:

- Any repairs or replacement of components during the warranty period will not result in an extension of the warranty period.
- The warranty will expire if any alterations have been made, not genuine components have been fitted or if the dehumidifier has been repaired by a third party.
- Components subject to normal wear and tear, such as the air filter, are not covered by the warranty.
- The warranty is only valid on presentation of the original, unaltered, and date-stamped purchase receipt.
- The warranty does not cover damage caused by actions that deviate from those as described in the user's manual or by neglect.
- All claims for compensation, including consequential damage, will not be entertained.

To prevent unnecessary expenses, we recommend that you always carefully read the user's manual first. If this does not provide a solution, call Meaco and we will be happy to help.

This appliance is not intended for use by person (including children) with reduced physical, sensory or mental capabilities, or lack of experience and knowledge, unless they have been given supervision or instruction concerning use of the appliance by a person responsible for their safety.

Children should be supervised to ensure that they do not play with the appliance.

You can extend your warranty from the standard one year up to a maximum of five years at any time in the first year of ownership by visiting <http://www.meaco.com/proddetail.asp?prod=Extwarranty>. If you have trouble in using this link then go to www.meaco.com and you will find the extended warranty under Dehumidifiers.

TECHNICAL SPECIFICATIONS

	Meaco 12L Low Energy Dehumidifier	Meaco 20L Low Energy Dehumidifier
Dehumidifying capacity	12L (30°C 80%rh)	20L (30°C 80%rh)
	6.2L (26.7°C 60%rh)	11.71L (26.7°C 60%rh)
Meaco unique control logic	✓	✓
Digital display	✓	✓
Rated power	165 watts	255 watts
Auto re-start	✓	✓
Filter	Dust filter with optional HEPA filter	
Electronic variable humidistat	✓	✓
Louver	Yes - Manual	Yes - Electronic rotating
Air volume	100m ³ /h	160m ³ /h
Maximum noise level	44dB(A)	46dB(A)
Timer	1~24h	1~24h
Child lock	✓	✓
Fan Speed	1	2
Water tank capacity	2.5L	6L
Operating temperature	5°C~35°C	5°C~35°C
Net weight	9.5 kg	12.6 kg
Product Size (WxDxH)	325 x 248 x 485mm	385 x 290 x 595mm



This marking indicates that this product should not be disposed with other household wastes throughout the EU. To prevent possible harm to the environment or human health from uncontrolled waste disposal, recycle it responsibly to promote the sustainable reuse of material resources. To return your used device, please use the return and collection systems or contact the retailer where the product was purchased. They can take this product for environmental safe recycling.



CUSTOMER SERVICE

This dehumidifier has been imported into the U.K. by;

Meaco (U.K.) Limited

Meaco House

Parklands

Railton Road

Guildford

GU2 9JX

Telephone: 01483 234900

Email: sales@meaco.com

Website: www.meaco.com

Fax: 01483 232700

Please record, for future reference, your date of purchase and where you bought the dehumidifier from here.

Date of purchase.....

Purchased from www.meaco.com (if not then please record the supplier's name below).

.....

Meaco are specialists in dehumidifiers and would welcome your comments and questions on this dehumidifier. If you do develop a fault within the first year then please do call us and if we cannot fix the problem over the phone we will be happy to collect the dehumidifier from you at our expense and repair or replace as appropriate.

Please save the box just in case this happens.

As a thank you for buying the dehumidifier we have the following discount code which can be used by yourself, friends or family to receive £10.00 off your next purchase at www.meaco.com when you or they spend £50.00 or more.

Just type – Meaco20L